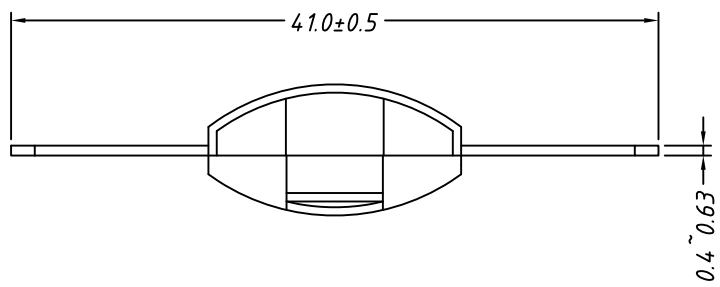


A

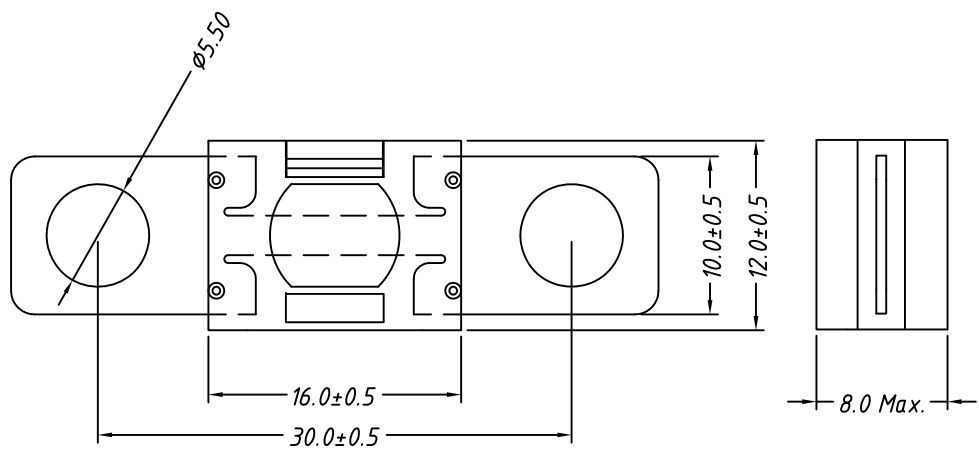
Part Number	Current Rating	Housing Color
L-KLS5-274R-N-030-A	30A	Orange
L-KLS5-274R-N-040-A	40A	Green
L-KLS5-274R-N-050-A	50A	Red
L-KLS5-274R-N-060-A	60A	Yellow
L-KLS5-274R-N-070-A	70A	Brown
L-KLS5-274R-N-080-A	80A	Natural
L-KLS5-274R-N-100-A	100A	Blue
L-KLS5-274R-N-125-A	125A	Pink
L-KLS5-274R-N-150-A	150A	Grey
L-KLS5-274R-N-200-A	200A	Violet

B



C

D



**Characteristics:**  
 Voltage Rating: 32V DC  
 Current Rating: 30A ~ 200A  
 Operating Temperature: -40°C to +125°C

**Material:**  
 Body: PC  
 Contact: Copper Alloy

**Order Information:**  
 L - KLS5 - 274R -N- XXX - A  
 L: RoHS  
 Plated: N-Nickel plated  
 G- Gold plated  
 Current Rating  
 Packing: Bag packing

Time-Current Characteristics

% of Rating	Opening Time	
	40 ~ 125	150 ~ 200
75	-----	14400s Min.
100	360000s Min.	-----
110	14400s	-----
150	90s to 3600s	-----
200	5s to 100s	1s to 15s
300	0.5s to 3s	0.3s to 3s
500	0.1s to 1s	0.1s to 1s

H

GENERAL TOLERANCE	PROJECTION		Description:
X. ±0.5	UNITS	mm	32V MIDI Bolt-Down Fuse
.X ±0.25	SCALE	2:1	
.XX ±0.15	Draw by:	Daniel	KLS P/N: L-KLS5-274R-N-XXX-A
ANGLE TOLERANCE	Check by:	Daniel	NingBo KLS ELECTRONIC CO.,L TD.
X. ±5°	Date	2022-09-01	
.X ±3°	SHEET	1 OF 1	
.XX ±2°			